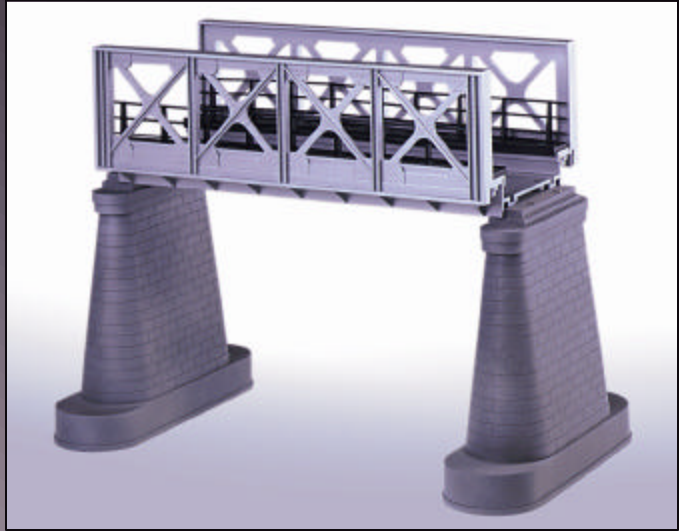


**RAIL KING**  
By MTH Electric Trains

**M.T.H.**  
ELECTRIC TRAINS®

7020 Columbia Gateway Drive  
Columbia, MD 21046-1532

[www.mth-railking.com](http://www.mth-railking.com)



The Girder Bridge adds more excitement and realism to your layout. Constructed from sturdy ABS plastic, the Girder Bridge is a great addition to any O-27 or O Gauge layout.

The bridge comes semi-assembled with most parts necessary to integrate it with existing layout components. Operation and set up is made easy by following the instructions on the inside.

# GIRDER BRIDGE

## Instructions

The Girder Bridge is comprised of 3 major components, the bridge itself, and 2 piers. Also included are 4 pier mounting screws and 2 Lionel® Trestle Pier Adapters.

### Basic Set Up

Before the bridge can be used, the piers must be attached to the bridge. Using the pier mounting screws provided, mount the 2 piers to the bridge, one on each end (as seen in Figure 1).

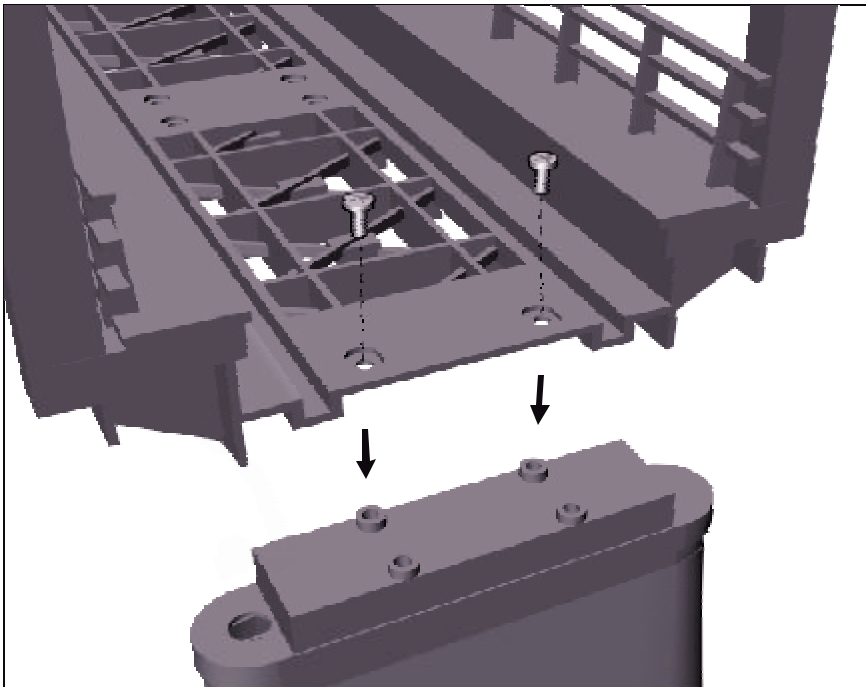


Figure 1

## Track Installation

### M.T.H. RealTrax®

Slide RealTrax® 10" straight onto the framing base of the bridge as shown in figure 2a.

### Other Track Systems

For track systems other than M.T.H. RealTrax®, place the track on top of the bridge framing base and mount the track using the track mounting screw holes provided in the frame as shown in figure 2b. Track mounting screws (Sheet Metal Screws No. 4 x 1/2") are not included.

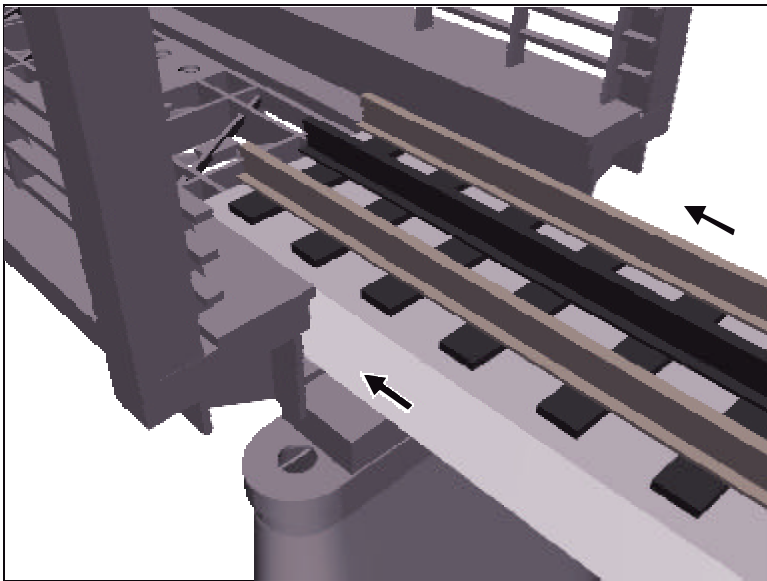


Figure 2a



Figure 2b

## Using Lionel Trestle Piers

The Girder Bridge was designed so that Lionel® Trestle Piers could be used in place of the bridge piers provided. The Lionel® Trestle Pier Adapters should be mounted in the same locations, and in the same manner, as the bridge piers would be mounted as shown in figure 3.

Mount the Lionel® Trestle Pier to the adapter the same way that the track adapter mounts to the pier as shown in the instructions with your original trestle set.

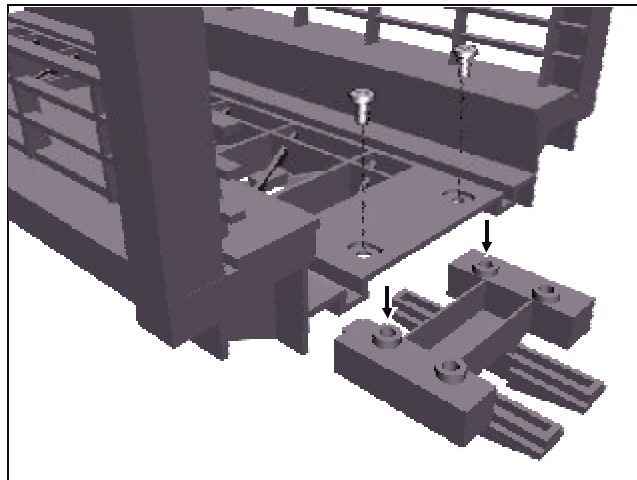


Figure 3







# SERVICE & WARRANTY INFORMATION

## How to Get Service Under the Terms of the Limited One-Year Warranty

**For warranty repair, do not return your product to the place of purchase. Instead, follow the instructions below to obtain warranty service as our dealer network is not prepared to service the product under the terms of this warranty.**

- First, write, call, e-mail, or FAX M. T. H. Electric Trains®, 7020 Columbia Gateway Drive, Columbia, MD 21046 (Tel.: 410.381.2580; e-mail: [service@mth-railking.com](mailto:service@mth-railking.com); FAX: 410.381.6122), stating when it was purchased and what seem to be the problem. You will be given a return authorization number to assure that your merchandise will be properly handled upon its receipt.
- **CAUTION: Make sure the product in its original factory packaging including its foam and plastic wrapping material so as to prevent damage to the merchandise. The shipment must be prepaid and we recommend that it be insured.** A cover letter including your name, address, daytime telephone number, e-mail address (if available), Return Authorization number, a copy of your sales receipt, and a full description of the problem must be included to facilitate the repairs. Please include the description regardless of whether you discussed the problem with one of our service technicians when contacting M. T. H.® for your Return Authorization Number.
- **Please make sure you have followed the instructions carefully before returning any merchandise for service.**

### Limited One-Year Warranty

**All M. T. H.® products purchased from an Authorized M. T. H. Train Merchant are covered by this warranty.**

See our website at [www.mth-railking.com](http://www.mth-railking.com) or call 1.888.640.3700 to identify an Authorized M. T. H. Train Merchant near you.

M. T. H. products are warranted for one year from the date of purchase against defects in material or workmanship, excluding light bulbs and traction tires. We will repair or replace (at our option) the defective part without charge for the parts or labor, if the item is returned to M. T. H. Electric Trains® within one year of the original date of purchase. This warranty does not cover damages caused by improper care, handling, or use. Transportation costs incurred by the customer are not covered under this warranty.

Items sent for repair must be accompanied by a return authorization number, a description of the problem, and **a copy of the original sales receipt from an Authorized M. T. H. Train Merchant**, which gives the date of purchase. Call 410.381.2580, fax 410.423.0009, or e-mail the Service Department at [service@mth-railking.com](mailto:service@mth-railking.com) to obtain a return authorization number.

This warranty gives you specific legal rights, and you may have other rights that vary from state to state.

Service Department  
M. T. H. Electric Trains®  
7020 Columbia Gateway Drive  
Columbia, MD 21046-1532

