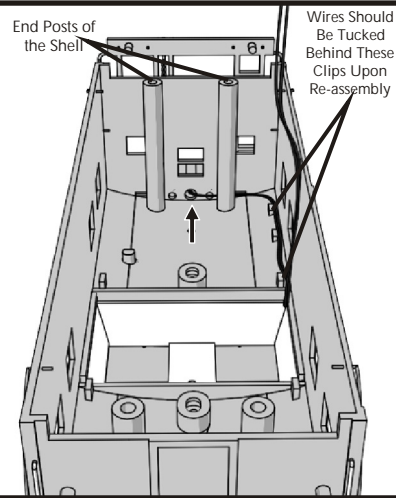


STEP
7

There will be two spots of hot glue holding the LEDs in place. Use a screw driver to loosen the wires from the spots of glue. Pull the LEDs back towards the inside of the shell to remove them. Replace the LEDs with a new set and use hot glue to put the wires back in place. Plug the wires back into the connector under the interior. Reassemble. Note: When reassembling, the end posts of the shell must pass through the corresponding holes in the interior.



LIMITED ONE-YEAR WARRANTY

All M.T.H. products purchased from an Authorized M.T.H. Train Merchant are covered by this warranty.

See our Website at www.mth-railking.com or call 1-888-640-3700 to identify an Authorized M.T.H. Train Merchant near you.

MTH products are warranted for one year from the date of purchase against defects in material or workmanship, excluding light bulbs and traction tires. We will repair or replace (at our option) the defective part without charge for the parts or labor, if the item is returned to MTH Electric Trains, Inc. within one year of the original date of purchase. This warranty does not cover damages caused by improper care, handling, or use. Transportation costs incurred by the customer are not covered under this warranty.

Items sent for repair must be accompanied by a return authorization number, a description of the problem, and the **original sales receipt from an Authorized M.T.H. Train Merchant**, which gives the date of purchase. Call 410-381-2580, fax 410-423-0009, or e-mail the Service Department at service@mth-railking.com to obtain a return authorization number.

This warranty gives you specific legal rights, and you may have other rights that vary from state to state.

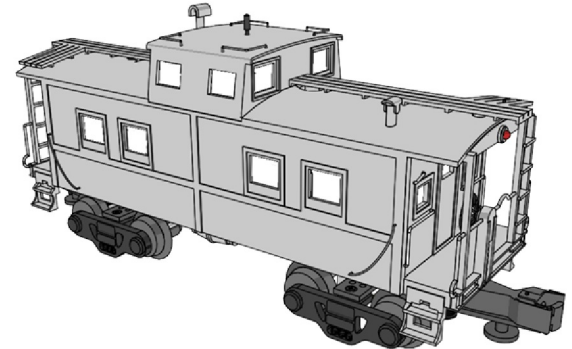
Service Department
M.T.H. Electric Trains, Inc.
7020 Gateway Drive
Columbia MD 21046-1532



M.T.H.
ELECTRIC TRAINS, INC.

7020 Columbia Gateway Drive
Columbia, MD 21046-1532

www.mth-railking.com



The Premier Center Copula Steel Caboose offers a new level of excitement and realism for your O or O-27 Gauge model railroad. Constructed from sturdy ABS plastic, the Center Copula Steel Caboose was created from quality components and has been designed for years of operation.

The Premier Center Copula Steel Caboose comes fully assembled, decorated and ready for use right out of the box. The Center Copula Steel Caboose features an illuminated interior controlled from track power. Use and operation is made easy by following the instructions on the following pages.

Center Copula Steel Caboose

INSTRUCTIONS

To replace the interior light bulbs, follow these steps. **1** To remove the shell from chassis remove the four screws located underneath the trucks. **2** With the four screws removed, lower the chassis from the shell, take care not to pull the wires out. **3** To be able to separate the interior from the shell you need to remove the step platform from both ends. In order to do this you need to loosen the end frames from the step platform. You must do this carefully so that you don't break them. Grasp the end frame by the bottom and pivot outwards 5°. You can then remove the step platforms. **4** With the step platforms removed you can then lower the interior down from the shell (to completely remove the body from the interior, goto step 6. **5** You can now replace the bulbs by pushing the socket up from the bulb holder and pull the bulb from its socket. Replace with a new one, and reverse the steps to reassemble the caboose. To replace the two red LED lights at the ends of the caboose follow steps 1- 4, 6 and 7 on the back page.

