

Service & Warranty Information

Limited One-Year Warranty

M.T.H. products purchased within one year from the date of manufacture are warranted against defects in material or workmanship, excluding wear items such as light bulbs, pick-up rollers, batteries, smoke unit wicks, and traction tires. M.T.H. Authorized Retailers will replace, refund, or credit the defective item if:

- The item was manufactured within the previous year
- It was purchased from M.T.H. directly by an M.T.H. Authorized Retailer or directly from an M.T.H. Distributor by an M.T.H. Authorized Retailer

IMPORTANT NOTE: This warranty does not cover damages caused by improper care, handling, or use. Transportation costs incurred by the customer are not covered under this warranty.

Purchases from eBay or other online auction or selling sites will NOT be covered under warranty unless the seller is an M.T.H. Authorized Retailer.

See our website at www.mthtrains.com to identify an M.T.H. Authorized Retailer near you.

This warranty gives you specific legal rights, and you may have other rights that vary from state to state. Specific questions regarding the warranty may be forwarded to M.T.H. directly.

M.T.H. Electric Trains
6660 Santa Barbara Road, Suite 20
Elkridge, MD 21075

How to Get Service Under the Terms of the Limited One-Year Warranty

This item carries a one-year warranty from the date of manufacture for the M.T.H. Authorized Retailer who sold the product. The defective item should be returned to the dealer where purchased.

If the dealer has trained service techs, they can offer to repair the item (M.T.H. will supply warranty parts as needed free of charge. If parts are not available a refund will be given to the dealer).

M.T.H. will no longer provide repair service on any products at its corporate headquarters.

If an item is defective and cannot be repaired, it needs to be returned to the original purchasing dealer and the end-user can obtain a refund from the retailer. The original purchasing dealer will then return the item to M.T.H. for credit.

Customers may want to request that their items are tested by the retailer prior to taking the item home. All items are tested by M.T.H. Electric Trains prior to shipment from our production facilities.



Woodside Caboose OPERATOR'S MANUAL

The Premier Woodside Caboose is the perfect addition to any O Gauge railroad. Constructed from sturdy ABS plastic, the Woodside Caboose boasts an attractive paint scheme and has been designed for years of operation.

This caboose comes fully assembled, decorated, and ready to use right out of the box. Simply place it on the track and couple it to a train. It features an illuminated interior, controlled from track power. Follow the easy instructions in this booklet to change the lights in your caboose.

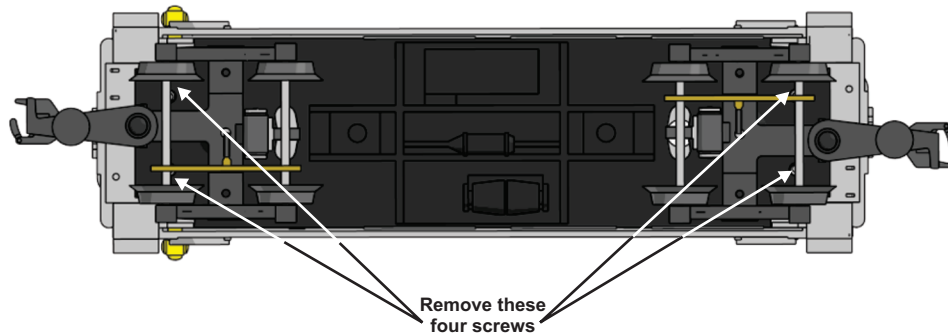
PLEASE READ BEFORE USE AND SAVE
www.mthtrains.com

INSTRUCTIONS

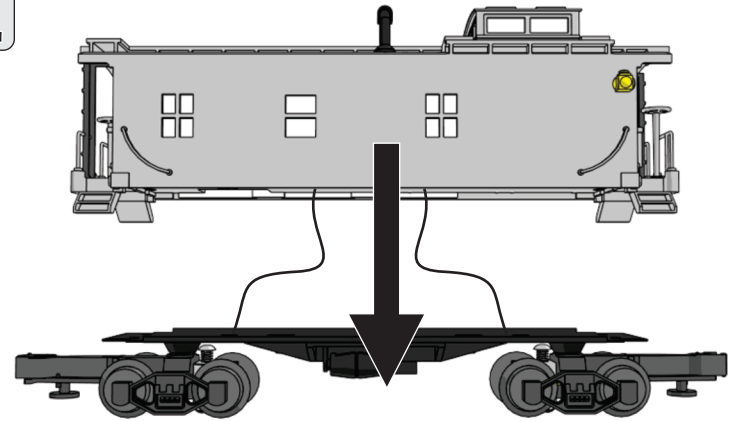
To replace the interior light bulbs, follow these steps. **STEP 1:** To remove the shell from the chassis, remove the four mounting screws located underneath the trucks. **STEP 2:** With the four screws removed, lower the chassis from the shell, taking care not to pull the wires out. **STEP 3:** Remove the step platform from each end by pulling the platforms away from the ladders. **STEP 4:** With the step platforms removed you can then lower the interior from the shell. **STEP 5:** In order to separate the interior fully from the body, unplug the LED marker light moxex connector from the constant voltage circuit board. **STEP 6:** Replace the bulbs by pushing the socket up from the bulb holder and pulling the bulb from its socket. Remove the vertical bulb simply by pulling it from its socket. Replace with a new bulb and reverse the steps to reassemble the caboose, being careful not to scratch the paint as you fit the ladder back into the step platforms.

You can obtain replacement parts from MTH Parts & Sales, LLC. Order online: www.mthpartsandsales.com

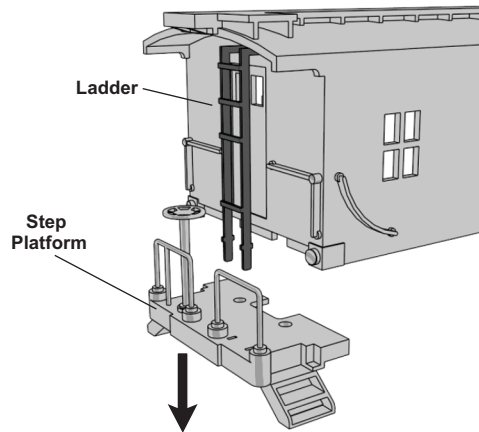
STEP
1



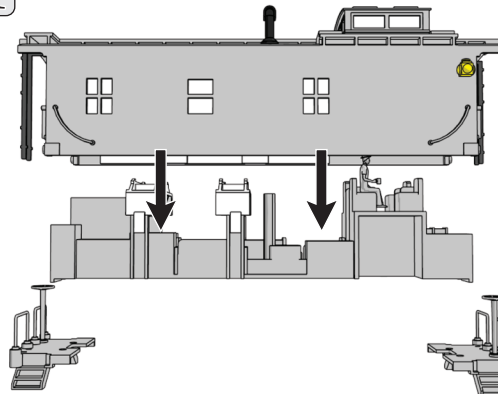
STEP
2



STEP
3



STEP
4



STEP
5

Unplug the LED marker light moxex connector from the constant voltage circuit board.

STEP
6

