

## LIMITED ONE-YEAR WARRANTY

All M.T.H. products purchased from an Authorized M.T.H. Train Merchant are covered by this warranty.

See our Website at [www.mth-railking.com](http://www.mth-railking.com) or call 1-888-640-3700 to identify an Authorized M.T.H. Train Merchant near you.

MTH products are warranted for one year from the date of purchase against defects in material or workmanship, excluding light bulbs and traction tires. We will repair or replace (at our option) the defective part without charge for the parts or labor, if the item is returned to MTH Electric Trains, Inc. within one year of the original date of purchase. This warranty does not cover damages caused by improper care, handling, or use. Transportation costs incurred by the customer are not covered under this warranty.

Items sent for repair must be accompanied by a return authorization number, a description of the problem, and the **original sales receipt from an Authorized M.T.H. Train Merchant**, which gives the date of purchase. Call 410-381-2580, fax 410-423-0009, or e-mail the Service Department at [service@mth-railking.com](mailto:service@mth-railking.com) to obtain a return authorization number.

This warranty gives you specific legal rights, and you may have other rights that vary from state to state.

Service Department  
M.T.H. Electric Trains, Inc.  
7020 Gateway Drive  
Columbia MD 21046-1532

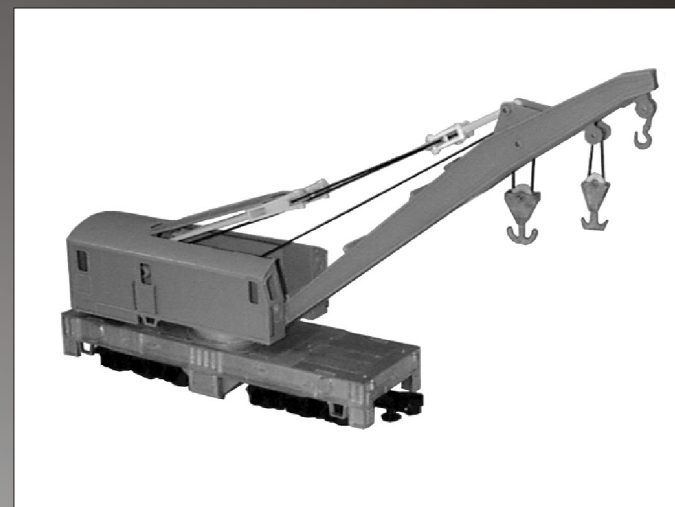


# M.T.H.

ELECTRIC TRAINS, INC.

7020 Columbia Gateway Drive  
Columbia, MD 21046-1532

[www.mth-railking.com](http://www.mth-railking.com)



The M.T.H. Premier crane car adds heavy duty moving and lifting power to your scale layout. With a die-cast base and a body constructed from sturdy ABS plastic, the authentically detailed crane car is a perfect addition to your O Gauge layout.

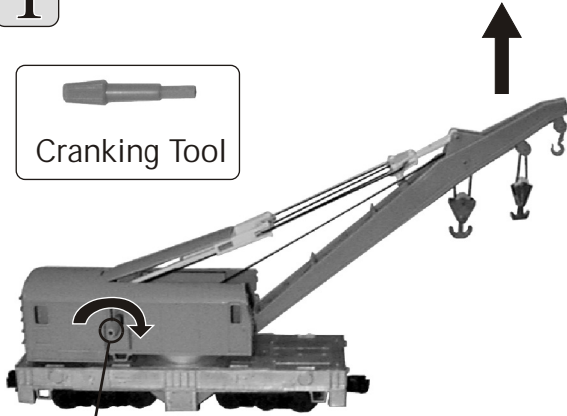
The crane car is pre-assembled and easy to operate. Simply follow the directions and diagrams inside.

# Operating Crane Car

# INSTRUCTIONS

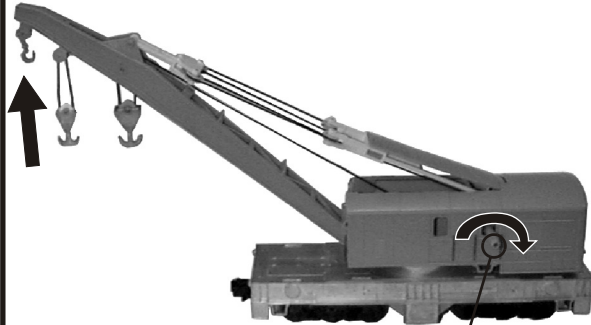
The Premier Operating Crane Car is composed of two components: the crane car itself and the cranking tool.

STEP  
1



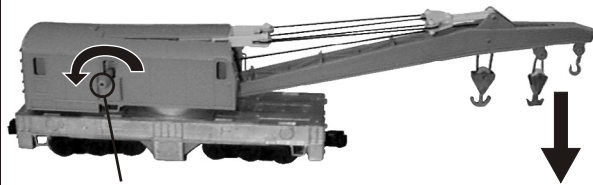
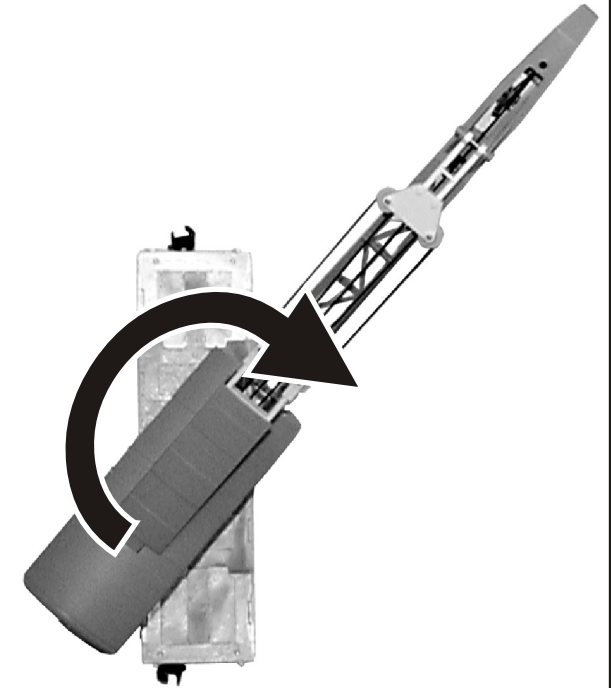
Turn Clock-wise to Raise

STEP  
2

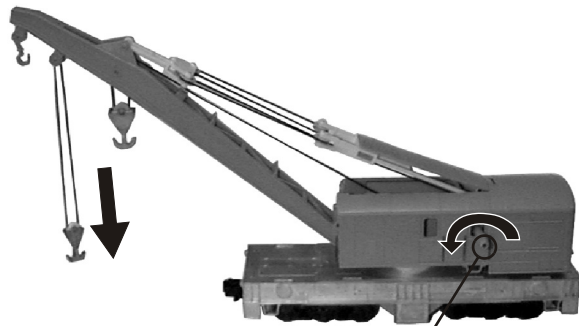


Turn Clock-wise to Raise

STEP  
3



Turn Counter Clock-wise to Lower



Turn Counter Clock-wise to Lower

To raise and lower the boom: Insert the cranking tool into the hole on the right side of the crane. Turn the tool clockwise to raise the boom and counter-clockwise to lower it.

To operate the middle hook: Insert the cranking tool into the hole on the left side of the crane. Turn the tool clockwise to raise the hook and counter-clockwise to lower it.

To rotate the crane body on the base: Manually turn the crane body clockwise.