

## How to Get Service Under the Terms of the Limited One-Year Warranty

For warranty repair, do not return your product to the place of purchase. Instead, follow the instructions below to obtain warranty service, as our dealer network is not prepared to service the product under the terms of this warranty.

1. First, write, call or FAX M.T.H. Electric Trains, 7020 Columbia Gateway Drive, Columbia, MD 21046, (Tel: 410-381-2580; FAX : 410-423-0009; e-mail: [service@mth-railking.com](mailto:service@mth-railking.com)), stating when it was purchased and what seems to be the problem. You will be given a return authorization number to assure that your merchandise will be properly handled upon its receipt.
2. CAUTION: Make sure the product is packed in its original factory packaging including its foam and plastic wrapping material so as to prevent damage to the merchandise. The shipment must be prepaid and we recommend that it be insured. *A cover letter including your name, address, daytime phone number, e-mail address (if available), Return Authorization number, a copy of your sales receipt and a full description of the problem must be included to facilitate the repairs. Please include the description regardless of whether you discussed the problem with one of our service technicians when contacting M.T.H. for your Return Authorization number.*
3. Please make sure you have followed the instructions carefully before returning any merchandise for service.

### Limited One-Year Warranty

**All M.T.H. products purchased from an Authorized M.T.H. Train Merchant are covered by this warranty.**

See our website at [www.mth-railking.com](http://www.mth-railking.com) or call 1-888-640-3700 to identify an Authorized M.T.H. Train Merchant near you.

M.T.H. products are warranted for one year from the date of purchase against defects in material or workmanship, excluding light bulbs and traction tires. We will repair or replace (at our option) the defective part without charge for the parts or labor, if the item is returned to M.T.H. Electric Trains within one year of the original date of purchase. This warranty does not cover damages caused by improper care, handling, or use. Transportation costs incurred by the customer are not covered under this warranty.

Items sent for repair must be accompanied by a return authorization number, a description of the problem, and the **original sales receipt from an Authorized M.T.H. Train Merchant**, which gives the date of purchase. Call 410-381-2580, fax 410-423-0009, or e-mail the Service Department at [service@mth-railking.com](mailto:service@mth-railking.com) to obtain a return authorization number.

This warranty gives you specific legal rights, and you may have other rights that vary from state to state.

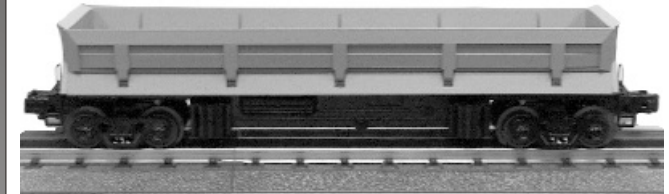
Service Department  
M.T.H. Electric Trains  
7020 Columbia Gateway Drive  
Columbia MD 21046-1532



**M.T.H.**  
ELECTRIC TRAINS, INC.

7020 Columbia Gateway Drive  
Columbia, MD 21046-1532

[www.mth-railking.com](http://www.mth-railking.com)



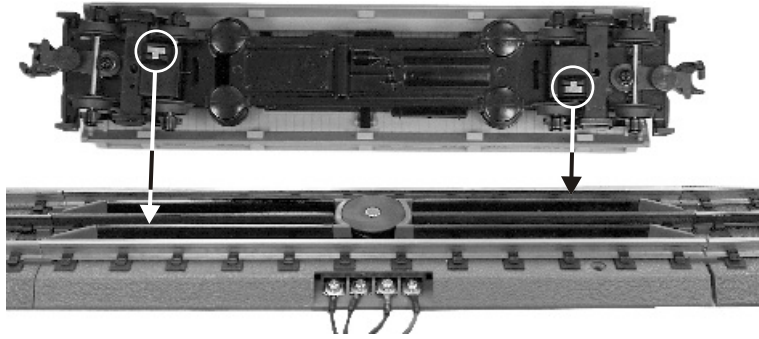
The Premier® Operating Dump Car lets you bring increased realism to the operation of your O Gauge layout. With its heavy die-cast platform and sturdy ABS body, the Operating Dump Car is built to last a lifetime.

Controlled by track power and an Uncoupling/Unloading Track Section, the dump car rises and tilts to one side, shakes to make sure all the contents come out, and returns to its original flat position. It is the perfect addition to any industrial railroad.

Operating  
Dump Car

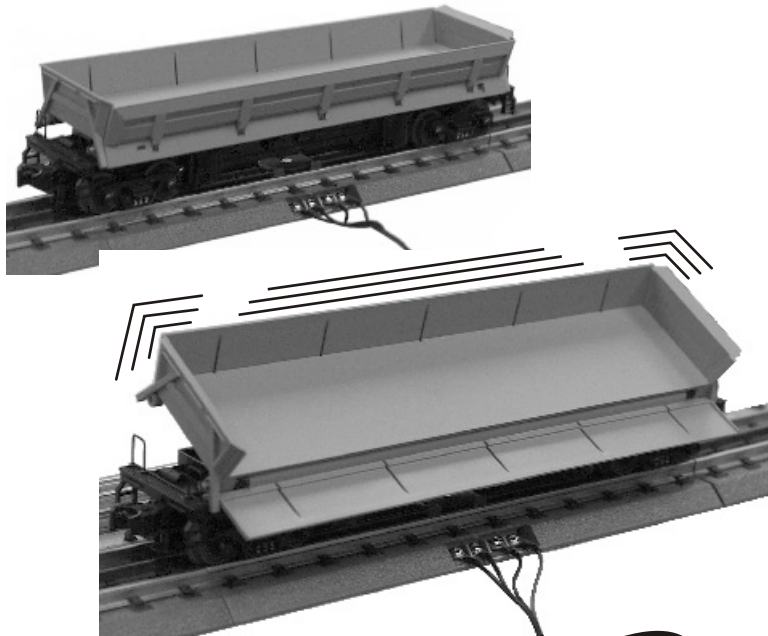
# INSTRUCTIONS

## Set Up

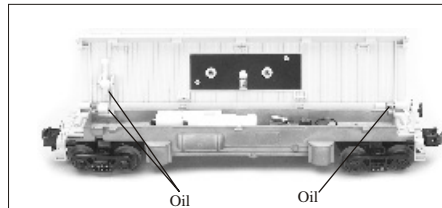


When you are ready to operate the dump car, make sure the entire car is on the Uncoupling/Unloading Track Section (UTS), so that the car's slide shoe pick-ups are in contact with the fourth and fifth rails of the UTS. The recommended voltage for the dumping action is 10-14 volts.

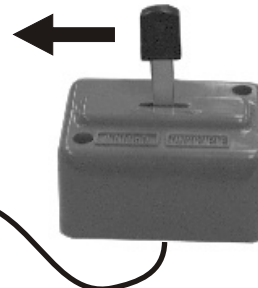
## Operation



Hold the UTS switch in the "Unload" position. (Refer to your UTS instruction sheet for complete directions in its use.) The dump car will rise, empty its load, shake to ensure the entire load has been dumped, and return to its original flat position while you hold the switch in place. As soon as you release the switch from the "Unload" position, the car will cease to move.



After several hours of use, you may notice a slowing of the dumping action. When this happens we recommend adding a light drop of oil to all the hinges.



**CAUTION:** Electrically Operated Product:

Not recommended for children under 8 years of age. M.T.H. recommends adult supervision with children ages 8 - 12. As with all electric products, precautions should be observed during handling and use to reduce the risk of electric shock.

**WARNING:** When using electrical products, basic safety precautions should be followed including the following:

- Read this manual thoroughly before using this device.
- M.T.H. recommends that all users and persons supervising use examine the hobby transformer periodically for conditions that may result in the risk of fire, electric shock, or injury to persons, such as damage to the primary cord, plug blades, housing, output jacks or other parts. In the event such conditions exist, the transformer should not be used until properly repaired.
- As with all electrical appliances, this product should not be left in operation when unattended.